

Control unit C-28C, C-48



Feature

- *Compact DIN size (96mm×96mm)*
- *Easy to handle*
- *Readable large display*
- *Normally equipped RS-232C*
- *Free range*
- *H/L 2 points alarms*
- *Abnormal condition display & alarm*
- *Output hold function*

What's TB-II F series

This is an instrument which controls sensor's temperature and converts the cell EMF to oxygen concentration, signal output etc. with our zirconia oxygen sensor.

Specification

		C-28C			C-48
Dimensions		96W×96H×132D			
Weight		About 500g			
Power		100-240VAC			
Display		Upper	4 figures LED	Upper	5 figures LED
		Lower	4 figures LED	Lower	5 figures LED
Display Ranges		R1 : %	0-99.99、0-100.0、 -19.99+99.99%	R1	% : 0.00-100.00 ppm : 0.0-9999.9
		R2 :	0-9999、0-999.9ppm	R2	atm : -35.00-0.00
		R3 : mV	-100-1600mV	R3	mV : -575.0-1575.0
Output ※1	DCA	D.C.4-20mA			
	DCV	D.C.0 to 1V、0 to 5V、0 to 10V			
Communication		RS232C			
Range Select		Manual/Auto		Manual/Auto/Remote	
Alarm		Output : Hi/Lo、Hi/H · Hi、Lo/L · Lo Failure : Sensor temp. abnormal			
Other functions		Cell EMF and/or Cell temp. are shown on lower display. Range answer-back, hold, one-touch calibration equipped.			

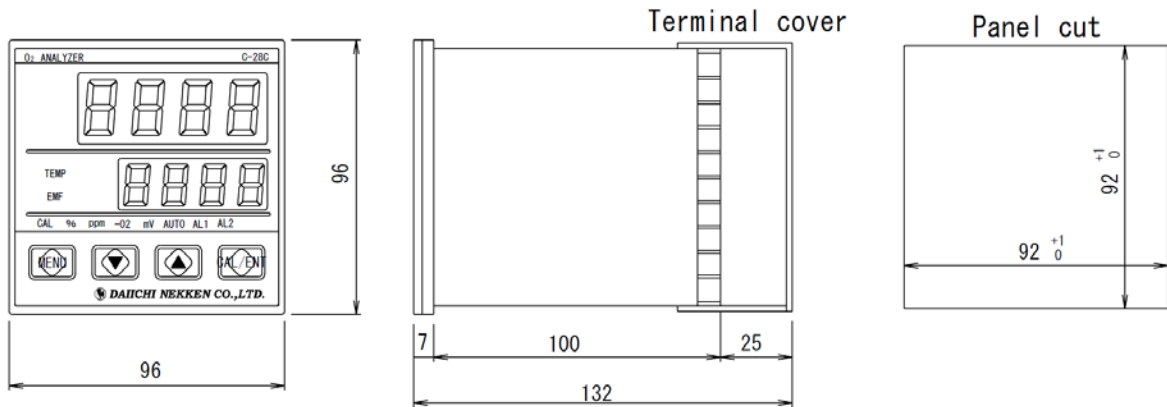
※ For the improvement, the specification and design may be changed without prior notice.

* 1 mV range can be set within 0~1500mV as you like.

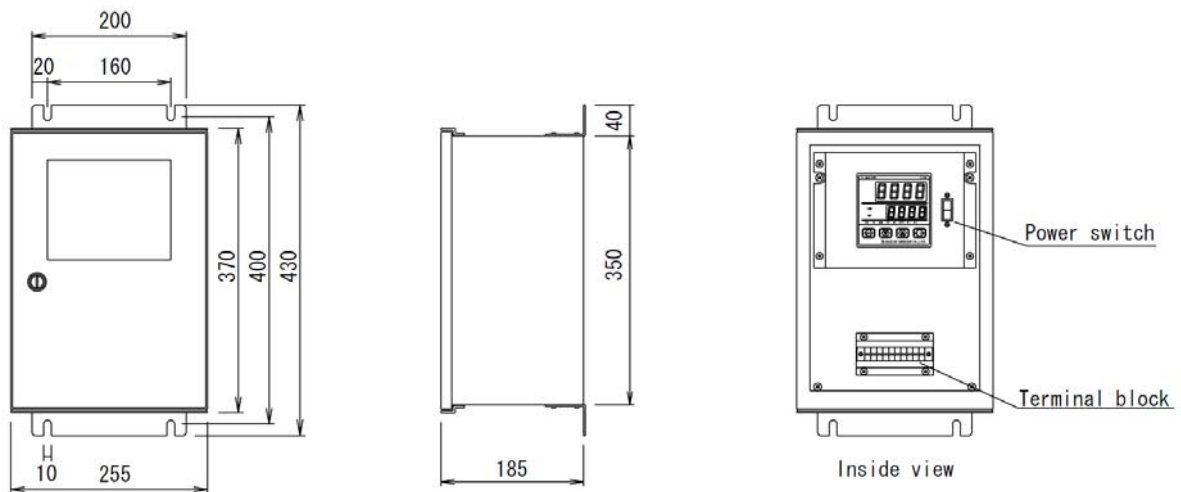
Dimensions

Dimensions

Panel mounting



Wall mounting



Inquiry

 **Daiichi Nekken Co.,Ltd.**

13-22 Nishikura-Cyo, Ashiya-City,
Hyogo-Prefecture, Japan ZIP:659-0026
TEL 0797-31-2410 / FAX 0797-31-8951
URL <http://www.daiichinekken.co.jp>
E-mail info@daiichinekken.co.jp