

# Inert Gas System for tanker Oxygen Analyzer TB-II S/C-28C-S



## What's TB-II S C-28C-S

Detective element is made of Zirconia electrolyte.

It is an oxygen meter designed for I.G.S.

### Features

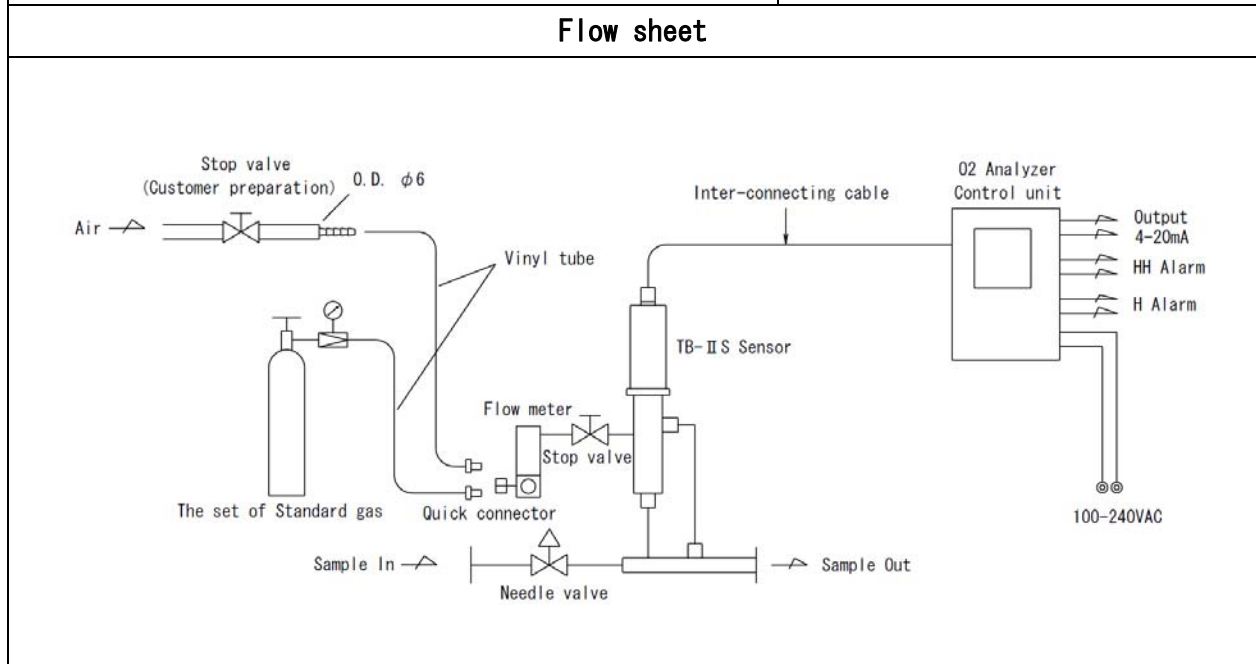
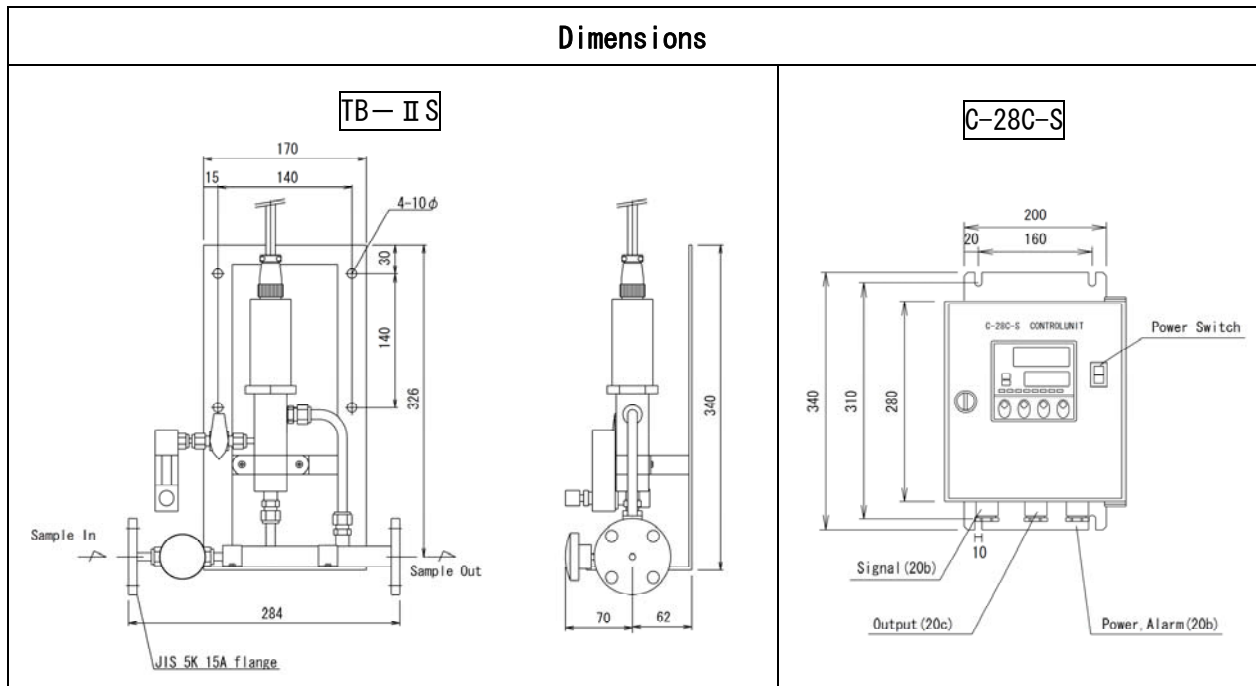
- ◎ Accepts the large flowing quantity of the sample (about 50L/min).
- ◎ It can be measured even if sample gas is dewy.
- ◎ Simple structure, easy maintenance.

### Specifications

Composition	TB-II S Sensor unit, C-28C-S Control unit
Installation	Wall type
Measuring range	0~25%O <sub>2</sub>
Output	D. C4~20mA (isolate)
Alarm	H/HH ※ possible to set other one
Piping	JIS 5K 15A flange
Linearity	Less than ±1%FS
Repeatability	Less than ±1%FS
Response	90% reading 10sec. (Swinging to a high density side)
Drift	Less than ±2%FS/wk
Using temp.	80°C max (Sensor unit) 50°C max (Control unit)
Sample pressure	0.1MPa max (Sensor Inlet) Fluctuation band 0±2KPa
Sample temp.	300°C max (Sensor Inlet)
Warm up time	About 20minutes
Utility	Power : 100-240VAC 50/60Hz
Accessory	Inter-connecting cable (3m)
Option	The set of Standard gas, Change of flange size

※For the improvement, the specification and design may be changed without prior notice.

## Dimensions & Flow Diagram



## Inquiry

 **Daiichi Nekken CO., LTD**

13-22 Nishikura-Cyo Ashiya-City  
Hyogo-Prefecture Japan

TEL 0797-31-2410 / FAX 0797-31-8951

URL <http://www.daiichinekken.co.jp>

E-mail [info@daiichinekken.co.jp](mailto:info@daiichinekken.co.jp)