

High concentration oxygen analyzer FG series



FG-II UX-S



FG-IX

Feature

- Comparison gas is unnecessary
- Is not affected by atmosphere changing
- Long stable measurement (2 years warranty)
- Small size, light

Application

- Artificial air
 - Oxygen PSA
 - Air eliminator
- etc.*

What's FG series

This is a Zirconia limiting Current Type Oxygen Sensor measuring high concentration (% level) oxygen.

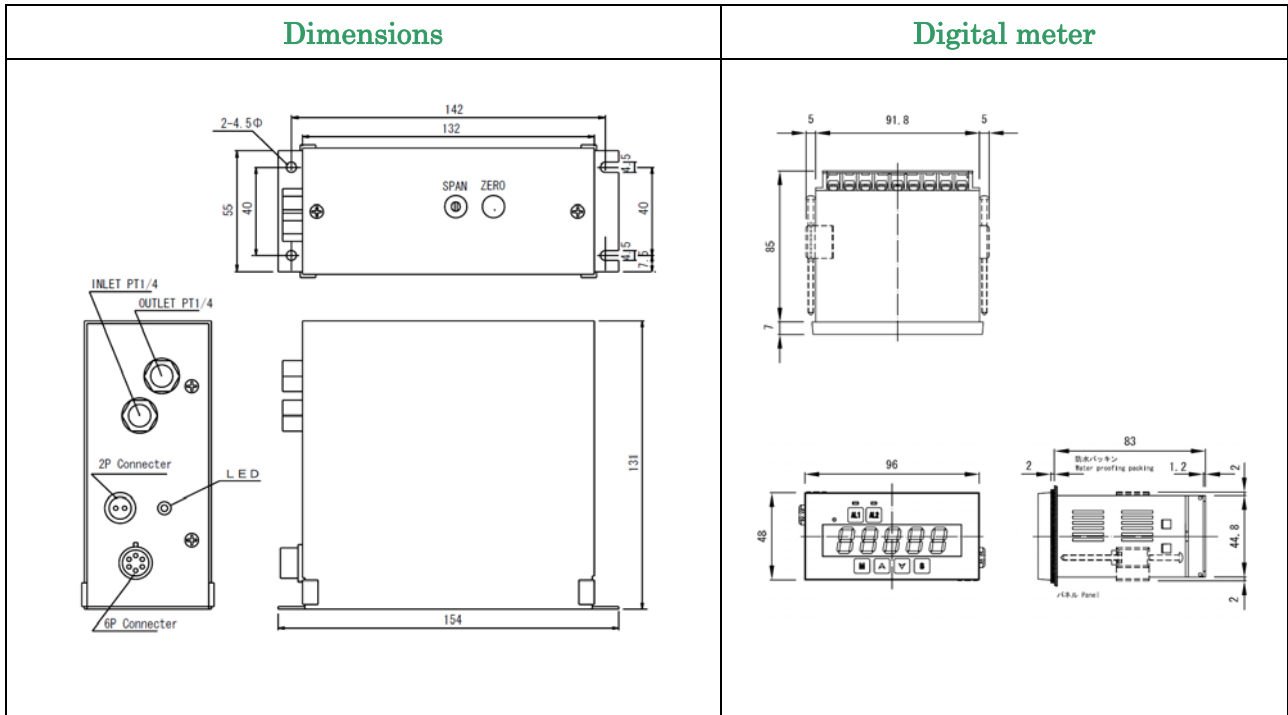
Specification

Model	FG-II UX-S	FG-II U-100RS
Principle	Limiting current method of Zirconia electrolyte	
Installation	Indoor type, Plane · Wall type ※ Meter: Panel type	
Application	O ₂ PSA, The oxygen enricher etc.	O ₂ PSA, The oxygen enricher etc.
Range	0~95%O ₂	0~25%O ₂
Display	00.00~100.00%O ₂	00.00~25.00%O ₂
Output	D.C.4~20mA to 0~100%O ₂	D.C.4~20mA to 0~100%O ₂
Alarm	Output alarm 2 points	
Linearity	Less than ±1%FS	
Repeatability	Less than ±1%FS	
Response	90% reading in 10 sec. (Swinging to a high concentration side)	
Drift	Less than ±1%/month	
Sampling	Injection (positive pressure)	
Gas Pressure	0.01~0.05 MPa	
Gas temperature	80°C max.	
Tubing	Inlet & Outlet Rc1/4	
Warm-up	About 20 minutes	
Power	Power : 95~115VAC 50/60Hz 50VA max. (DNK45 digital meter:10VA)	
Temperature	0~50°C	
Accessory	Connecting cord, Power cord 3m, Digital meter	
Option	Flow meter with needle valve	

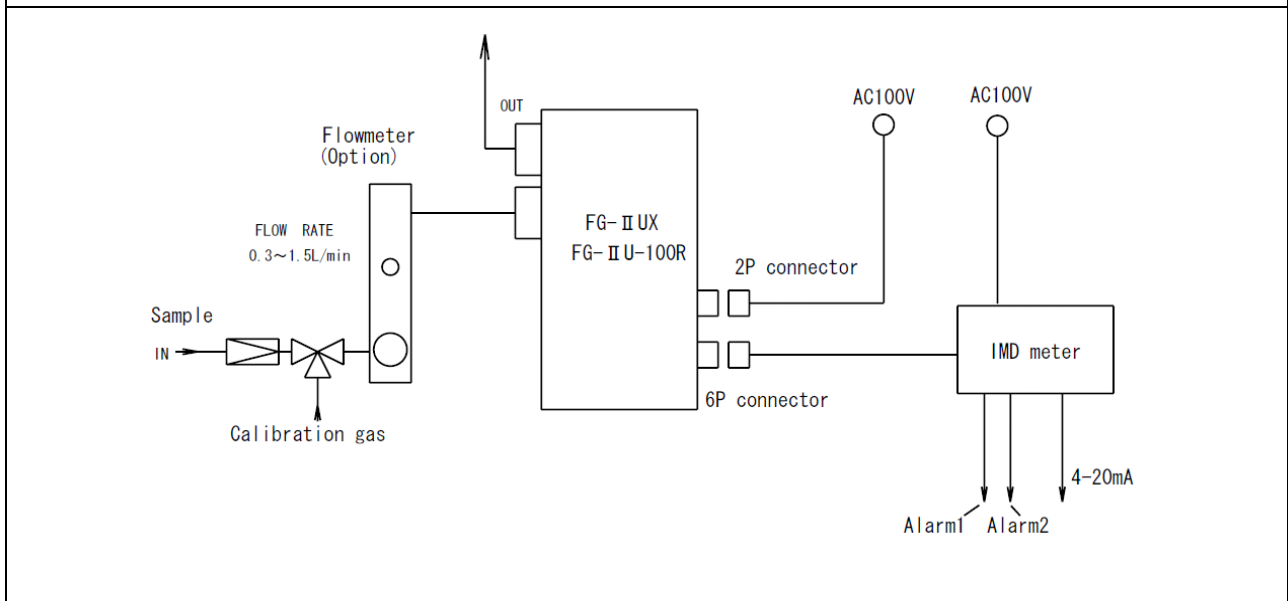
※For the improvement, the specification and design may be changed without prior notice.

※About 2 years warranty •It is limited our original instrument only. •Consumption parts such as filter, O-ring are except
 •In case of the sampling gas contains strong acidity, strong alkaline, or corrosiveness, it may be out of warranty.

Dimensions and Flow sheet



Flow sheet



Inquiry

 **Daiichi Nekken Co.,Ltd.**

13-22 Nishikura-Cyo, Ashiya-City,
Hyogo-Prefecture, Japan ZIP:659-0026
TEL 0797-31-2410 / FAX 0797-31-8951
URL <http://www.daiichinekken.co.jp>
E-mail info@daiichinekken.co.jp