

# Portable oxygen analyzer EZY series



## Feature

- *Weight saving from previous model*  
*EZY:4.3kg/TB-FI series:6.0kg*
- *3 colors. -You can select color according to your application.)*
- *Stable measuring by smooth temperature control system*
- *Built-in multi filter protects detector from corrosive gas*

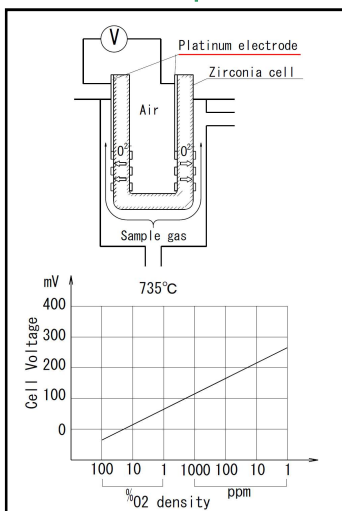
## Application

- *Portable application*
- *Semiconductor application*
- *Reflow furnace*
- *Exhaust gas etc.*

## EZY Series

This model is a portable analyzer which uses Detective element made of Zirconia electrolyte. EZY sensor and C-301 control unit are installed altogether in a box for portable uses.

### Principle



Sensing cell is a closed end, 90mm length and 7mm diameter. Tube made of Zirconium oxide. When it is red hot, it becomes a oxygen measuring cell because of movement of oxygen ions in its crystal structure.

If there are two different oxygen gases on both side of the cell, a voltage is produced.

For the oxygen in combustible gases, the oxygen value is calculated from following formula:

$$E = 0.0496 \cdot T \log \frac{\text{Air (20.6\% = 206,000ppm = 0.206atm)}}{\text{Sample = O}^2\%, \text{O}^2\text{ppm, O}^2\text{atm}} + C$$

E: cell voltage(mV) T: absolute cell temperature  
C: cell constant(mV) O<sup>2</sup>atm: vol% of oxygen of

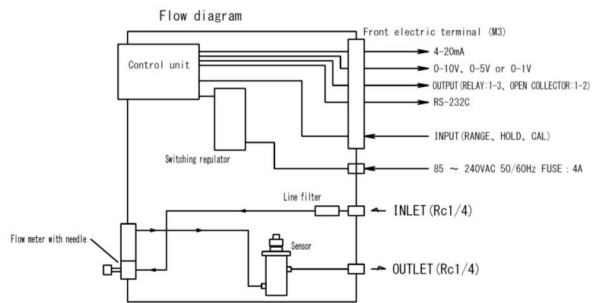
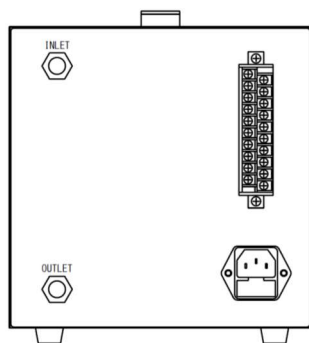
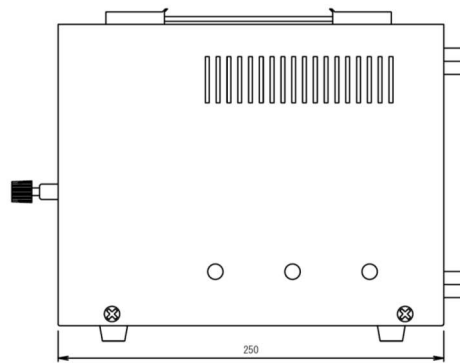
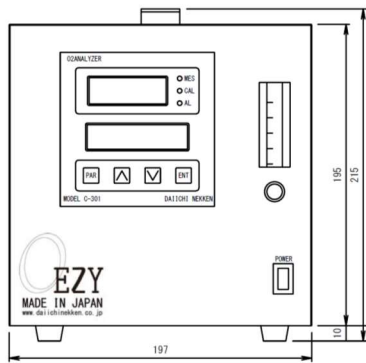
✳About 2 years warranty

•It is limited our original instrument only.

•Consumption parts such as filter, O-ring are except

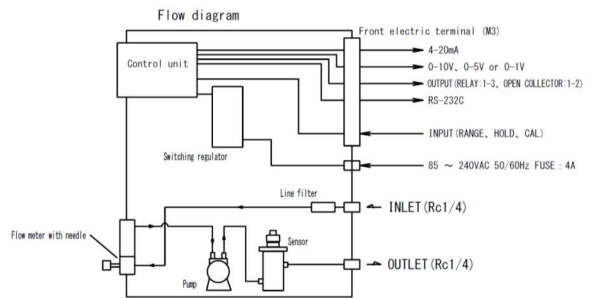
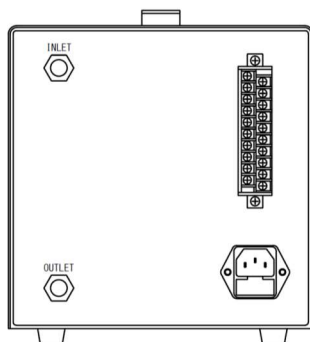
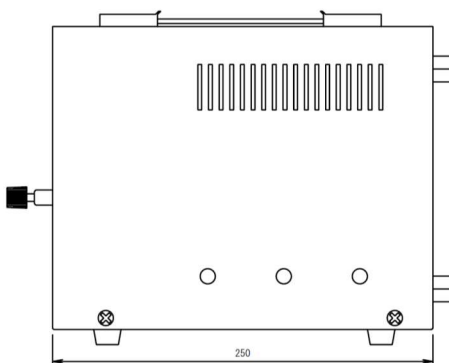
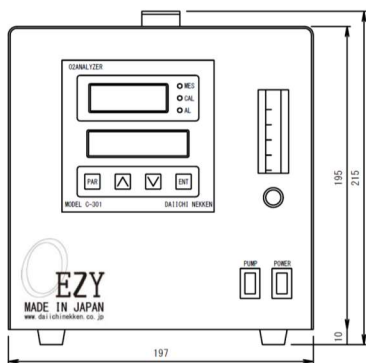
•In case of the sampling gas contains strong acidity, strong alkaline, or corrosiveness, it may be out of warranty.

EZY-1 Dimensions



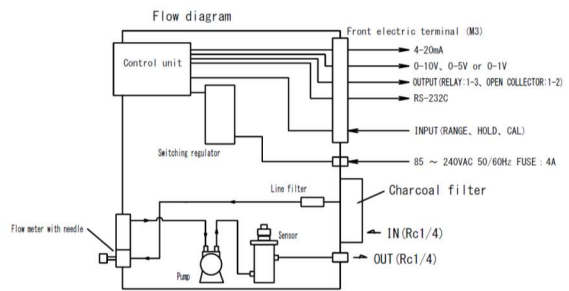
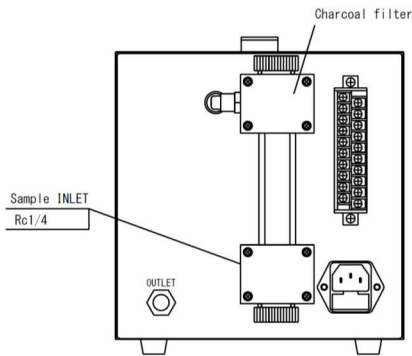
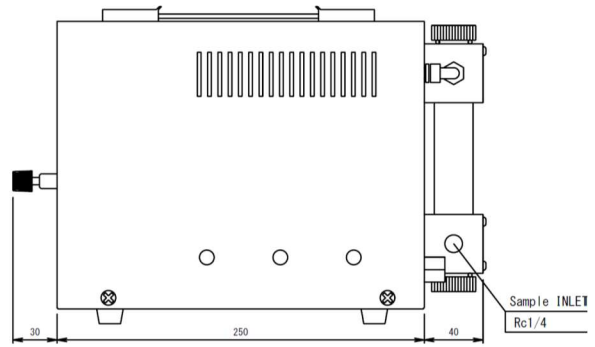
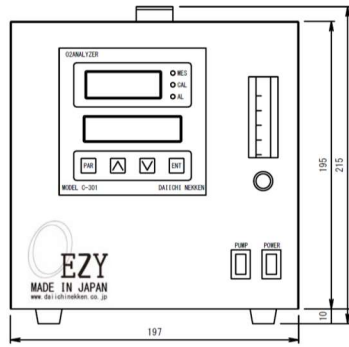
- Front electric terminal (M3)
- 4-20mA
  - 0-10V, 0-5V or 0-1V
  - OUTPUT (RELAY: 1-3, OPEN COLLECTOR: 1-2)
  - RS-232C
  - INPUT (RANGE, HOLD, CAL)
  - 85 ~ 240VAC 50/60Hz FUSE : 4A

EZY-2 Dimensions

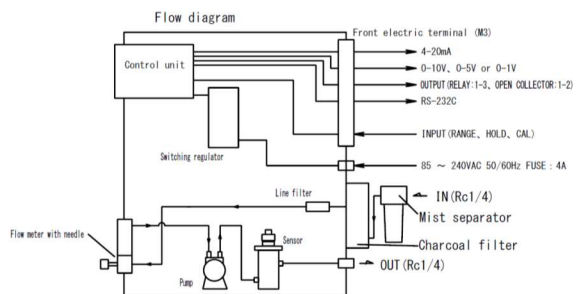
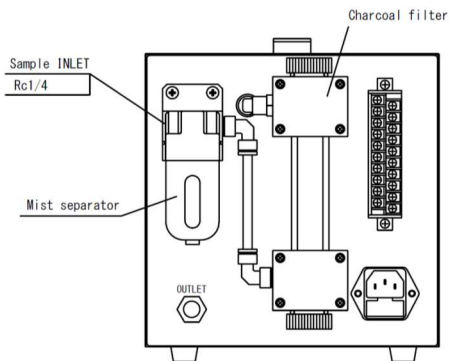
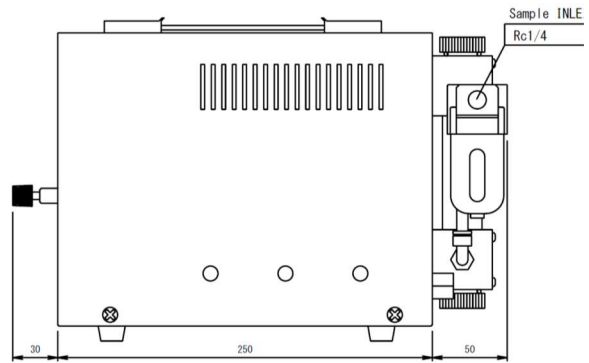
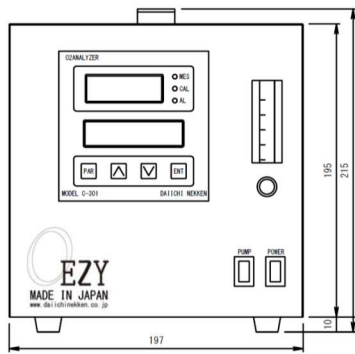


- Front electric terminal (M3)
- 4-20mA
  - 0-10V, 0-5V or 0-1V
  - OUTPUT (RELAY: 1-3, OPEN COLLECTOR: 1-2)
  - RS-232C
  - INPUT (RANGE, HOLD, CAL)
  - 85 ~ 240VAC 50/60Hz FUSE : 4A

EZY-2C Dimensions



EZY-2R Dimensions



## EZY Series

### Specification

M o d e l	A B C EZY-□□-□ Ex.) EZY-1-G EZY-1C-R EZY-2R-B	
A : Inside pump	1 : NO 2 : YES	
B : F i l t e r	Blanc : NO C : Charcoal filter R : Charcoal filter + Mist separator	
C : C o l o r	G : Green R : Red B : Blue	
P r i n c i p l e	Zirconia electrolyte	
S t r u c t u r e	SPCC box, EZY sensor, C-301 Control unit, Flow meter with needle	
M e a s u r i n g r a n g e	1ppm~100%O <sub>2</sub>	
D i s p l a y	% : 0~99.99%O <sub>2</sub> / ppm : 0~9999ppmO <sub>2</sub>	
O u t p u t	4~20mADC (Isolated) 0~1VDC, 0~5VDC, 0~10VDC (Isolated, select one of them) RS-232C Relay : 3pcs(Contact A), Open collector : 2cs(Possible to set below freely) <table border="0" style="width: 100%; border-collapse: collapse;"> <tr> <td style="border-left: 1px solid black; border-right: 1px solid black; padding: 0 10px;">                 Concentration alarm : Hi/Lo, HHi/Hi or Lo/LLo (OLED display)                  Sensor failure : Heater, RTD broken (OLED display)                  Warm-up finish signal                  Range answer back             </td> </tr> </table>	Concentration alarm : Hi/Lo, HHi/Hi or Lo/LLo (OLED display) Sensor failure : Heater, RTD broken (OLED display) Warm-up finish signal Range answer back
Concentration alarm : Hi/Lo, HHi/Hi or Lo/LLo (OLED display) Sensor failure : Heater, RTD broken (OLED display) Warm-up finish signal Range answer back		
C o n t a c t i n p u t	Remote calibration Output(Voltage/Current) holding Remote range change	
R a n g e c h a n g e	Auto/Manual/Remote	
D e f a u l t s e t t i n g	0~25.00%O <sub>2</sub> / 0~9999ppmO <sub>2</sub>	
G a s s u p p l y	1 (No pump) : Supply with pressure 2 (Pump) : Sucking by pump	
D r i f t	Large one either of less than ±1%FS or±1ppm	
L i n e a r i t y	Large one either of less than ±1%FS or±1ppm	
R e p e a t a b i l i t y	90% reading 10sec. (Swinging to a high density side)	
R e s p o n s e	Less than ±2%FS/week	
P i p i n g	Rc1/4	
F l o w r a t e	0.2~2L/min.	
S a m p l e t e m p.	60°C MAX.	
W a r m - u p	About 20 min.	
P o w e r	85~240VAC	
A c c e s s o r y	3 meters of Power supply code	

※For the improvement, the specification and design may be changed without prior notice.

### Inquiry



Daiichi Nekken Co.,Ltd.

13-22 Nishikura-Cyo, Ashiya-City,  
Hyogo-Prefecture, Japan ZIP:659-0026  
TEL 0797-31-2410 / FAX 0797-31-8951  
URL <http://www.daiichinekken.co.jp>  
E-mail [info@daiichinekken.co.jp](mailto:info@daiichinekken.co.jp)